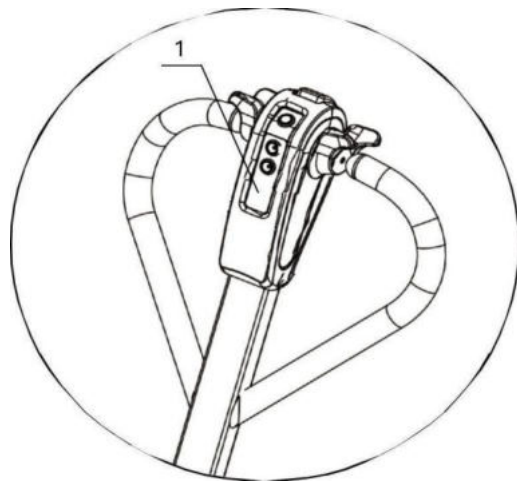


1.2.2 電源及びエアコートインジケータ

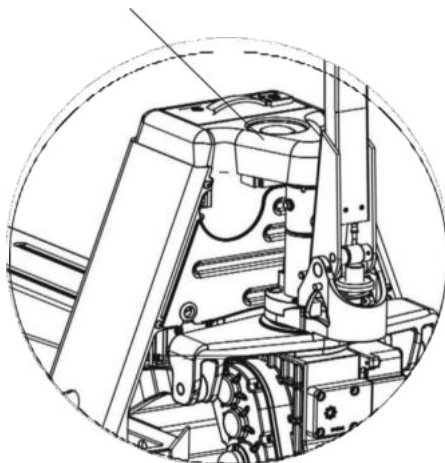
スクリーンには、残りの電力とエアコート、稼働時間が表示されます。



1.2.3 緊急停止ボタン (電源On/Off)





非常停止ボタンを押して電気システムを遮断すると、全ての電気機能が作業を停止し、電動ハンドリフトにブレーキがかかります。電源をONにするには緊急停止ボタンを引張り上げ、電源をOFFにするにはボタンを押してください。

緊急停止ボタン



1.2.4 インテリジェントコントロール機能 (オプション)



Intelligent Control			
Technical Data			
1	Communication technology	RF	
2	Distance	2m	
3	Battery Type	Non-rechargeable alkaline battery	
4	Battery Model	L828(12V/27A)	
5	Battery Replacement	Available	
ICON	FUNCTION	OPERATION	Reminds
1	 Lock/Unlock	Under lock state, the vehicle cannot be operated. The vehicle can be operated in the unlock state; A vehicle with 2 intelligent control keys, different vehicles are not universal. Unlock: Power on, press the button to open the lock with 2 beeps, the screen of the handle displays the symbol of unlock after operation successfully; Lock: Press the button again, hear 1 beep, the operation is successful, the handle screen shows the lock symbol;	Unlock: 2 beeps + unlock symbol Lock: 1 beep + lock symbol
2	 UP-Right Drive Mode	Press the button to enter the UP-Right Drive mode, the vehicle can move forward and backward in the upright state of the handle, and there is a beep warning sound, the handle screen shows the upright prompt, at the same time the vehicle speed is reduced to half of the set speed; Press the button again to cancel the upright function, return to the normal mode, the beep warning disappears, and the driving speed is reset;	Up-Right drive: continuous beeps + screen display + speed deceleration Normal: 1 beep + screen display + speed reset
3	 Traveling Speed Setting	Press the button to set the driving speed from Level 1 to Level 5; Level 1 speed 0.5km/h---> Level 2 speed 1.5km/h---> Level 3 speed 2.5km/h---> Level 4 speed 3.5km/h---> Level 5 full speed If the speed setting is successfully switched, the speed level information will be displayed on the screen once. After setting the speed, there is memory function, the vehicle speed is still the last set speed after restart not back to full speed.	The handle screen display the speed level when switched
4	 Horn	Horn button: press and hold the button to keep beeps, release to stop beep.	Beep warning
TROUBLESHOOTINGS			
1	Signal light with little light or no light	Battery to be replaced or keys damaged	
2	Function button failure	The key is damaged, replace it	